

Cass

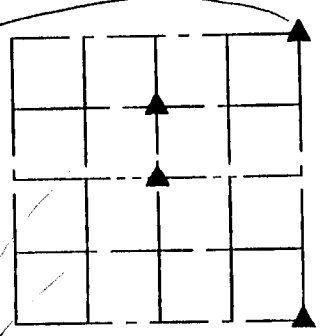
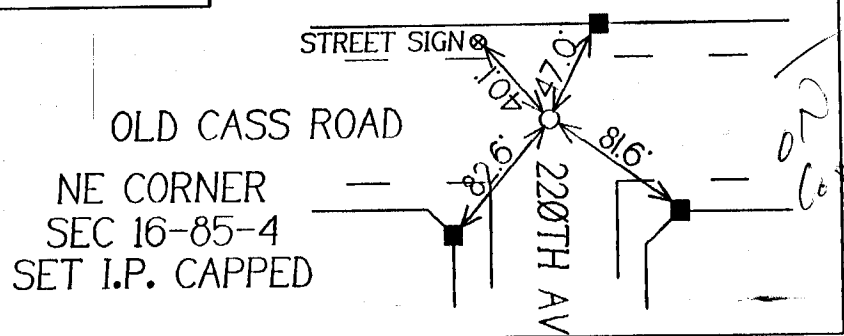
United States Public Land Survey Corner Certificate

Land survey corner in Section 16 Township 85 North.
Range 4 West of the 5th Principal Meridian. Jones
County, Iowa



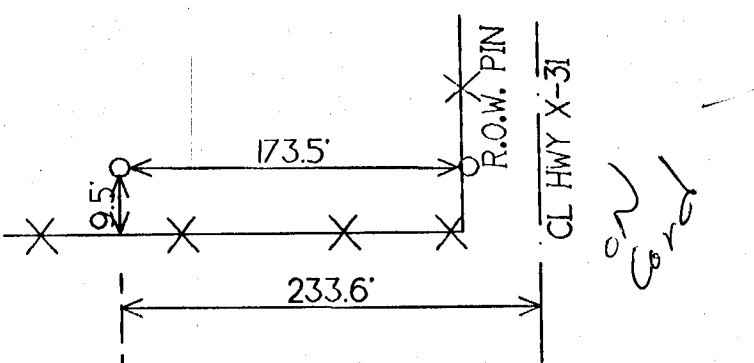
NO SCALE

SPC IOWA 1401 NAD83
N 3536273.6 US FT
S 5515784.5



SECTION 16

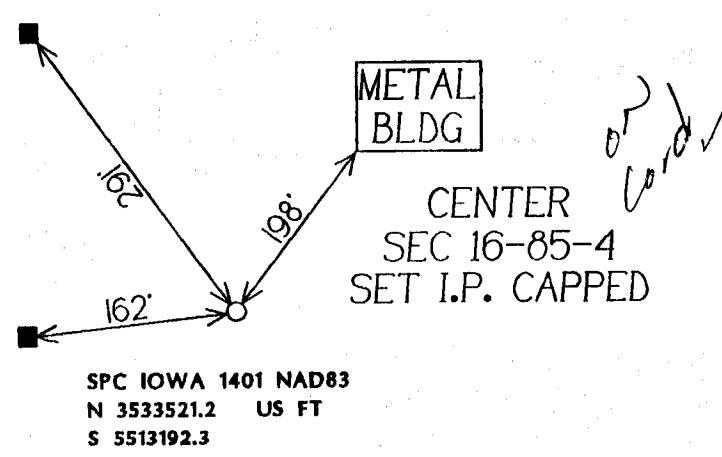
- LEGEND
- IRON PIN OR PIPE FOUND
 - I. PIN SET CAPPED
 - CORNER POST
 - ▲ CONGRESSIONAL CORNER
 - ⚡ POWERPOLE
 - ☐ TELE JCT BOX
 - TREE



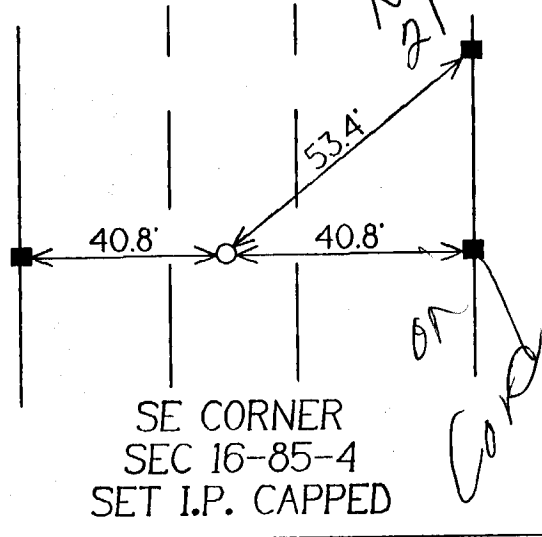
NW COR SW NE
SEC 16-85-4
SET I.P. CAPPED

SPC IOWA 1401 NAD83
N 3534851.3 US FT
S 5513167.5

SPC IOWA 1401 NAD83
N 3530951.8 US FT
S 5515903.7



SPC IOWA 1401 NAD83
N 3533521.2 US FT
S 5513192.3



SE CORNER
SEC 16-85-4
SET I.P. CAPPED

Certification

I hereby certify that this plat and survey was made by me or under my direct supervision and that I am a duly Registered Land Surveyor under the laws of the State of Iowa.

Harold E. Dillon

12/19/96

Harold E. Dillon Iowa Reg. 6581 My certification expires 12/31/98



Dillon Surveying Co.
Coralville, Ia 52241
(319) 351-5647

8541be-121996, 8541bh-121996, 8541bm-121996, 85421e-121996