

- PREPARED BY AND RETURN TO: PHONE: (319) 841-5188 -
-MMS CONSULTANTS, INC. 5741 C STREET SW STE C, CEDAR RAPIDS, IOWA 52404-

U.S. PUBLIC LAND SURVEY CORNER CERTIFICATE

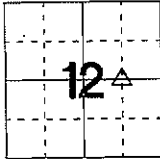
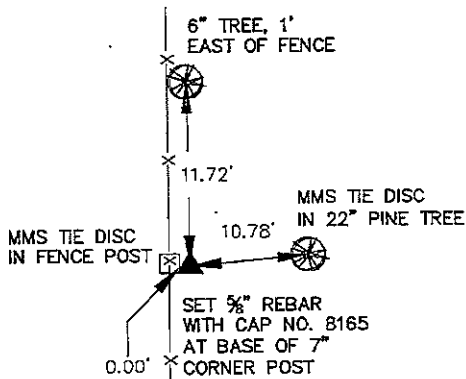
FOR LAND SURVEY MONUMENTS SITUATED IN SECTION 12, TOWNSHIP 84 NORTH, RANGE 4 WEST, OF
THE FIFTH PRINCIPAL MERIDIAN, JONES COUNTY, IOWA

REASON FOR PREPARING CERTIFICATE:

- A) THERE IS NO CERTIFICATE FOR THE CORNER ON FILE WITH THE RECORDER.
- B) CORNER FOUND DIFFERS FROM PREVIOUSLY RECORDED CERTIFICATE RECORDED IN BOOK , AT PAGE .

RECOVERY TIE DRAWING

NW CORNER, NE, SE 12-T84N-R4W



NOT TO SCALE

MONUMENT DESCRIPTION AND REMARKS :

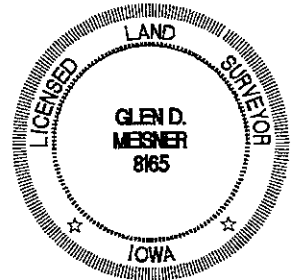
SET 5/8" REBAR WITH YELLOW MMS CAP NO. 8165
 LOCATION OF SECTION CORNER WAS DERIVED FROM
 RECORDED BEARINGS FOUND ON A PLAT OF SURVEY
 THEREOF RECORDED IN PLAT BOOK Q, AT PAGE 14
 OF THE JONES COUNTY RECORDER'S OFFICE.

MONUMENT DESCRIPTION AND REMARKS :

I hereby certify that this land surveying document was prepared and the related survey work was performed by me or under my direct personal supervision and that I am a duly licensed Land Surveyor under the laws of the State of Iowa.

Glen D. Meisner 2-11 2009
GLEN D. MEISNER Iowa Lic. No. 8165

My license renewal date is December 31, 2009.



Drawn by:	Scale:
JK	NTS
Checked by:	Date:
GDM	01/05/08
Field Book:	Project No.:
12/817	CR 7171003

U.S. PUBLIC LAND SURVEY CORNER CERTIFICATE

SECTION 12-T84N-R4W OF THE 5TH P.M.
TO JONES COUNTY, IOWA
PROPRIETOR: LITTLE CREEK ESTATES

MMS CONSULTANTS, INC.
 IOWA CITY, IOWA 52240
 (319) 351-8282
 CEDAR RAPIDS, IOWA 52404
 (319) 841-5188
 www.mmsconsultants.net



Date | Revision