

Lovell

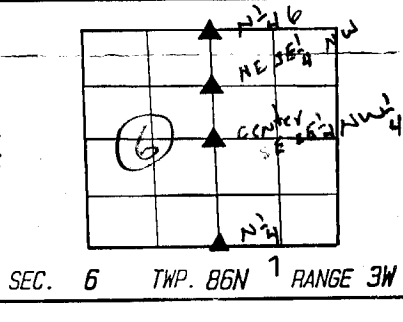
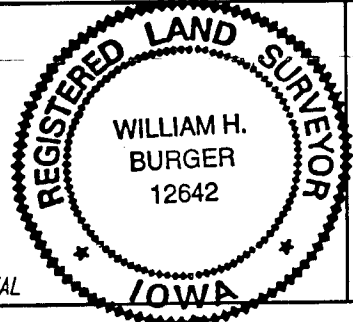
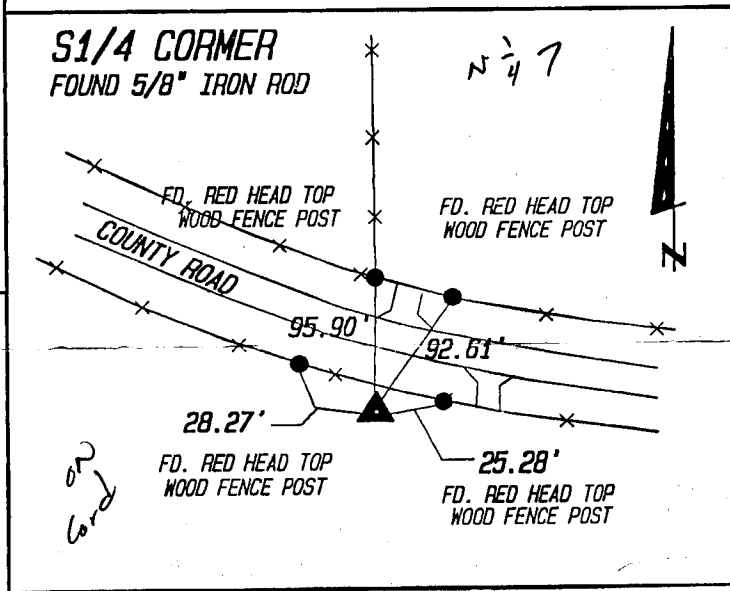
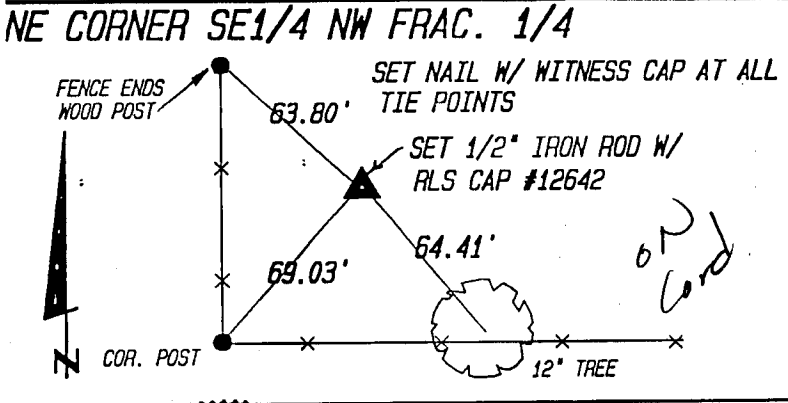
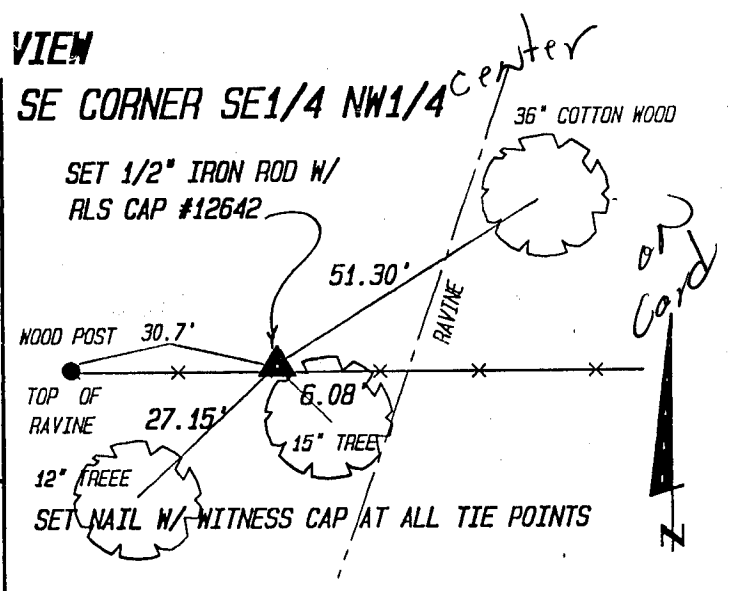
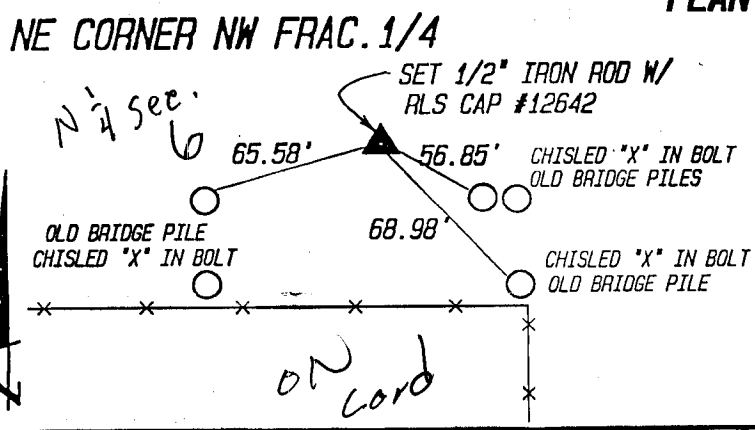
UNITED STATES PUBLIC LAND SURVEY CORNER CERTIFICATE

Land Survey Monuments situated in Section 6, Township 86N, Range 3W, of the Fifth Principal Meridian, Jones County, Iowa. Previously recorded in NA in County Recorder's Office.

Monument Description and Remarks: (No Corner Certificates found at the County Recorders Office)

- S1/4 CORNER USED 1985 TIES FOUND AT ENGINEERS OFFICE FOUND 5/8" IRON ROD
- SE CORNER SE1/4 NW FRAC. 1/4 RUN STRAIGHT LINES FROM OPPOSITE 1/4 CORNERS AND SET 1/2" IRON ROD W/RLS CAP AT SAID POINT OF INTERSECTION
- NE CORNER SE1/4 NW FRAC. 1/4 SET 1/2" IRON ROD W/RLS CAP #12642 ON LINE AND MID WAY BETWEEN CENTER OF SECTION AND THE N1/4 CORNER
- NE CORNER NW FRAC. 1/4 SET 1/2" IRON ROD W/RLS CAP #12642 AT PROPORTIONATE DISTANCE FROM NE CORNER OF SAID SECTION 6 ON LINE WITH NW CORNER AND THE NE CORNER OF SAID SECTION 6

PLAN VIEW



I hereby certify that this land surveying document was prepared and related survey work was performed by me or under my direct personal supervision and that I am a duly licensed Land Surveyor under the laws of the State of Iowa.

William H. Burger 2/18/97
William H. Burger Date
License number 12642

My license renewal date is December 31, 1998
Pages or Sheets covered by this seal: Sheet 1 of 1

CORNERS TO BE INDEXED

Corner	Section	Twp	Range
<u>S1/4</u>	<u>6</u>	<u>86N</u>	<u>3W</u>
<u>SE COR. SE1/4 NW1/4</u>	<u>6</u>	<u>86N</u>	<u>3W</u>
<u>NE COR. SE1/4 NW1/4</u>	<u>6</u>	<u>86N</u>	<u>3W</u>
<u>NE COR. NW1/4</u>	<u>6</u>	<u>86N</u>	<u>3W</u>

86306c-021897
86306h-021897
86306m-021897

COPY