

COPY

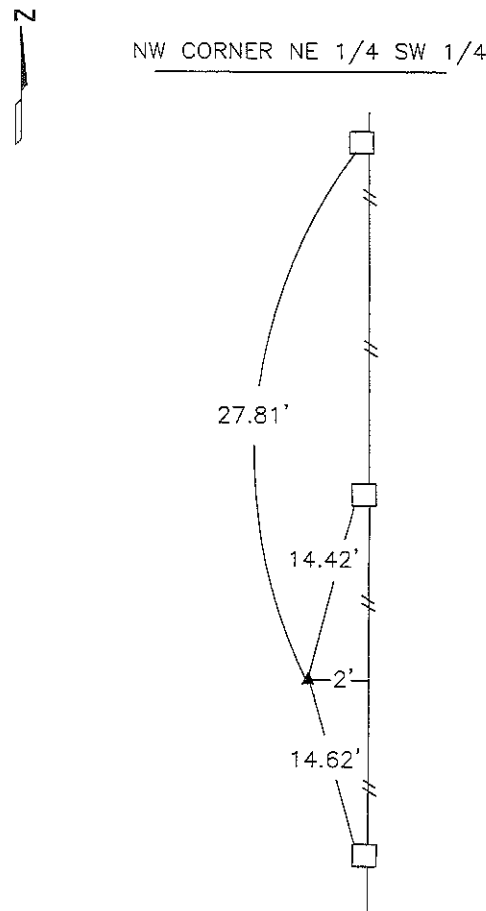
☐☐
 Jones County Marie Krutzfield
 Fee Book 2011 1097
 04/28/2011 @1034AM # Pages 1
 ZSC SEC COR CERT
 Total Fees: \$9.00

PREPARED BY
 STEPHEN MICHAEL BRAIN, BRAIN ENGINEERING, INC., 1540 MIDLAND COURT NE, CEDAR RAPIDS, IOWA PH. (319) 294-9424

UNITED STATES PUBLIC LAND SURVEY CORNER CERTIFICATE

LAND SURVEY MONUMENTS SITUATED IN SECTION 15, TOWNSHIP 83 NORTH
 RANGE 1 WEST OF THE 5TH P.M., JONES COUNTY, IOWA.

NO SCALE

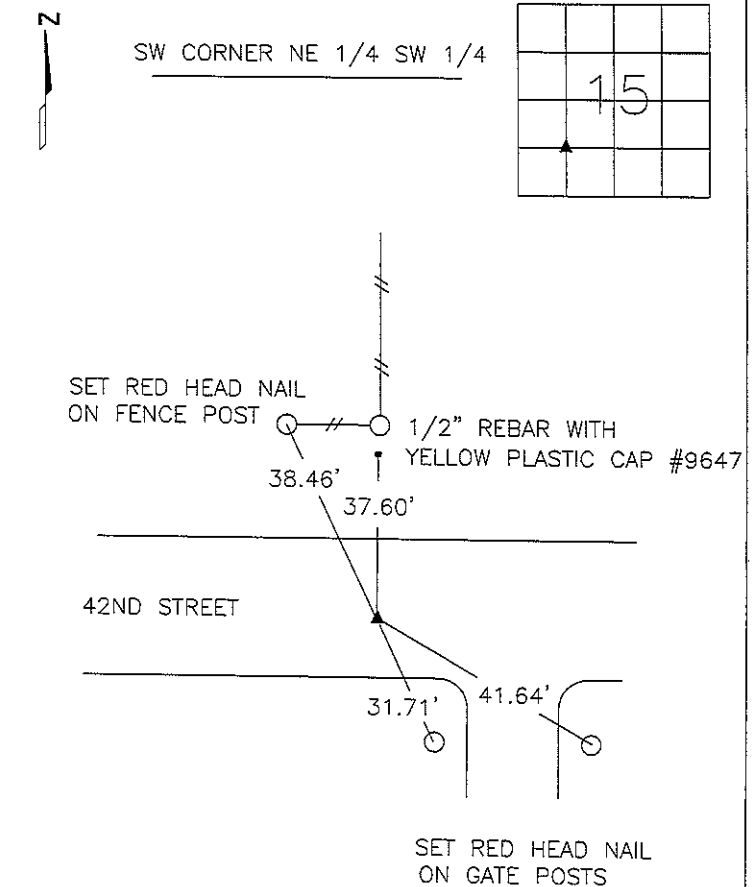


ALL TIES
 SET RED HEAD NAIL
 IN STEEL FENCE POST

PREVIOUSLY RECORDED IN BOOK _____ PAGE _____

MONUMENT DESCRIPTION AND HOW ESTABLISHED _____
 SET 1/2" REBAR W/ YELLOW PLASTIC CAP #9647 AT THE
 MIDPOINT ON THE LINE BETWEEN THE W 1/4 CORNER AND
 THE CENTER OF SECTION 15-83-1. THE CENTER WAS
 CALCULATED BY THE INTERSECTION OF THE FOUR 1/4
 CORNERS OF SECTION 15.

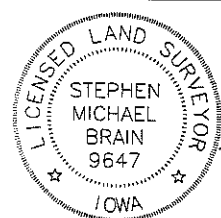
NO SCALE



SET RED HEAD NAIL
 ON GATE POSTS

PREVIOUSLY RECORDED IN BOOK _____ PAGE _____

MONUMENT DESCRIPTION AND HOW ESTABLISHED _____
 SET 1/2" REBAR W/ YELLOW PLASTIC CAP #9647 AT THE
 INTERSECTION OF THE CALCULATED MIDPOINTS OF THE FOUR
 SIDES OF THE SW 1/4 OF SECTION 15-83-1. THE CENTER
 WAS CALCULATED BY THE INTERSECTION OF THE FOUR 1/4
 CORNERS OF SECTION 15.



I hereby certify that this land surveying document
 and the related survey work was performed by me
 or under my direct personal supervision and that
 I am a duly licensed Land Surveyor under the laws
 of the State of Iowa.
 Signed _____ Date 4/27/11

Stephen Michael Brain, L.S.
 My License Renewal Date is December 31, 2012
 License Number 9647
 Pages or sheets covered by this seal: 1/1

- A.THERE IS NO CERTIFICATE FOR THE CORNER ON FILE WITH THE RECORDER OF THE COUNTY IN WHICH THE CORNER IS LOCATED
- B.THE SURVEYOR IN RESPONSIBLE CHARGE OF THE LAND SURVEYING ACCEPTS A CORNER POSITION WHICH DIFFERS FROM THAT SHOWN IN THE PUBLIC RECORDS OF THE COUNTY IN WHICH THE CORNER IS LOCATED.
- C.THE CORNER MONUMENT IS REPLACED OR MODIFIED IN ANY WAY.
- D.THE REFERENCE TIES REFERRED TO IN AN EXISTING PUBLIC RECORD ARE NOT CORRECT.

CORNERS TO BE INDEXED			
CORNER	SECTION	TOWNSHIP	RANGE
NW CORNER	15	T83N	R1 W
NE 1/4 SW 1/4			
SW CORNER	15	T83N	R1 W
NE 1/4 SW 1/4			

BRAIN ENGINEERING, INC.

1540 MIDLAND COURT NE
 CEDAR RAPIDS, IOWA 52402 436311-10
 (319) 294-9424