

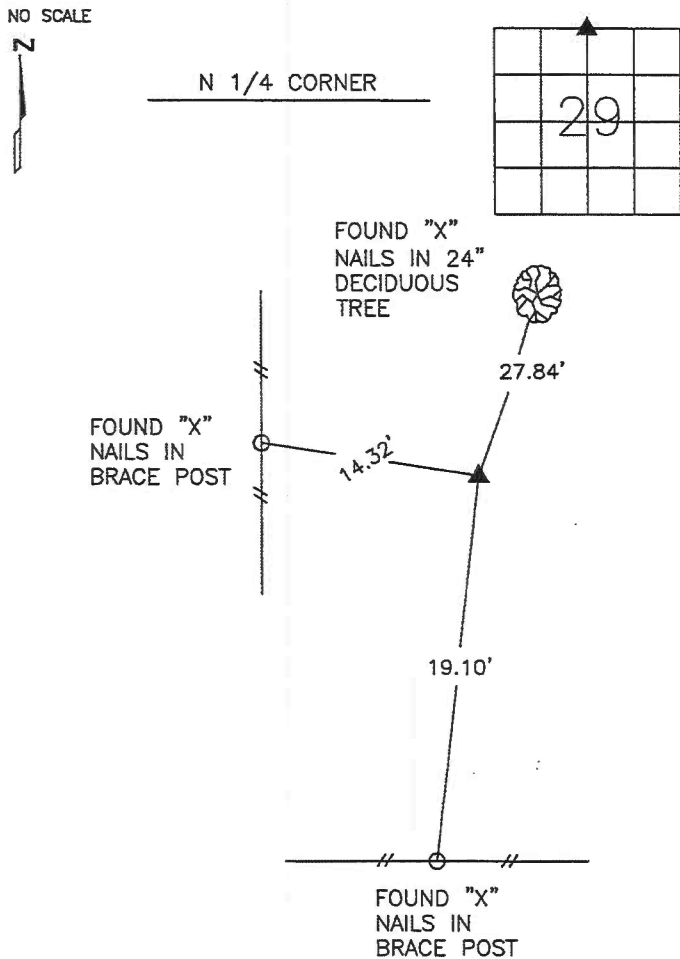
Instrument #: 2017-1863
 07/14/2017 10:07:15 AM Total Pages: 1
 ZSC SECTION CORNER CERTIFICATE
 Recording Fee: \$7.00 Transfer Tax: \$0
 Sheri L. Jones, Recorder, Jones County Iowa



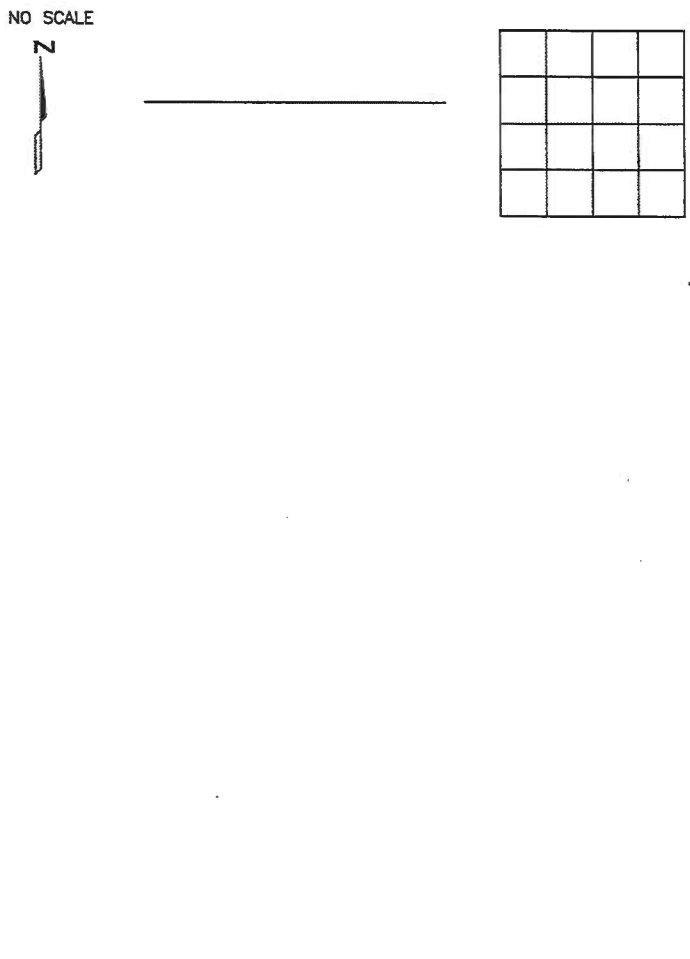
PREPARED BY
 STEPHEN MICHAEL BRAIN, BRAIN ENGINEERING, INC., 1540 MIDLAND COURT NE, CEDAR RAPIDS, IOWA PH. (319) 294-9424

UNITED STATES PUBLIC LAND SURVEY CORNER CERTIFICATE

LAND SURVEY MONUMENTS SITUATED IN SECTION 29, TOWNSHIP 83 NORTH
 RANGE 1 WEST OF THE 5TH P.M., JONES COUNTY, IOWA.



PREVIOUSLY RECORDED IN BOOK _____ PAGE _____
 MONUMENT DESCRIPTION AND HOW ESTABLISHED _____
 FOUND $\frac{1}{2}$ " REBAR WITH FLAGGING AT THE N $\frac{1}{4}$ CORNER OF
 SEC. 29-T83N-R1W.



PREVIOUSLY RECORDED IN BOOK _____ PAGE _____
 MONUMENT DESCRIPTION AND HOW ESTABLISHED _____



I hereby certify that this land surveying document and the related survey work was performed by me or under my direct personal supervision and that I am a duly licensed Land Surveyor under the laws of the State of Iowa.
 Signed *Stephen Michael Brain* Date 7/12/17
 Stephen Michael Brain, L.S.
 My License Renewal Date is December 31, 2018
 License Number 9647
 Pages or sheets covered by this seal: 1/1

- A.THERE IS NO CERTIFICATE FOR THE CORNER ON FILE WITH THE RECORDER OF THE COUNTY IN WHICH THE CORNER IS LOCATED
- B.THE SURVEYOR IN RESPONSIBLE CHARGE OF THE LAND SURVEYING ACCEPTS A CORNER POSITION WHICH DIFFERS FROM THAT SHOWN IN THE PUBLIC RECORDS OF THE COUNTY IN WHICH THE CORNER IS LOCATED.
- C.THE CORNER MONUMENT IS REPLACED OR MODIFIED IN ANY WAY.
- D.THE REFERENCE TIES REFERRED TO IN AN EXISTING PUBLIC RECORD ARE NOT CORRECT.

CORNERS TO BE INDEXED			
CORNER	SECTION	TOWNSHIP	RANGE
N 1/4 CORNER	29	T83N	R 1 W

BRAIN ENGINEERING, INC.
 1540 MIDLAND COURT NE
 CEDAR RAPIDS, IOWA 52402 522417-10
 (319) 294-9424

YBM