

Instrument #: 2022-3357
 11/28/2022 02:18:59 PM Total Pages: 1
 ZSC SECTION CORNER CERTIFICATE
 Recording Fee: \$7.00 Transfer Tax: \$0
 Sheri L. Jones, Recorder, Jones County Iowa



PREPARED BY: RANDALL L. RATTENBORG 105 WEST MAIN STREET MANCHESTER, IA 52057, 563-927-2434

UNITED STATES PUBLIC LAND SURVEY CORNER CERTIFICATE

Land Survey Monuments situated in Section 22, Township 83 North, Range 3 West of the Fifth Principal Meridian,
JONES County, Iowa.

Previously recorded in County Recorder's Office in SEE DESCRIPTIONS BELOW

(book, page, document number, etc.)

NE Corner NW 1/4 - SE 1/4: Found 1/2" rebar with red cap #13657 as shown in plat recorded in Inst. #2011 2578. Corner Certificate being issued due to no previous certificate on record.

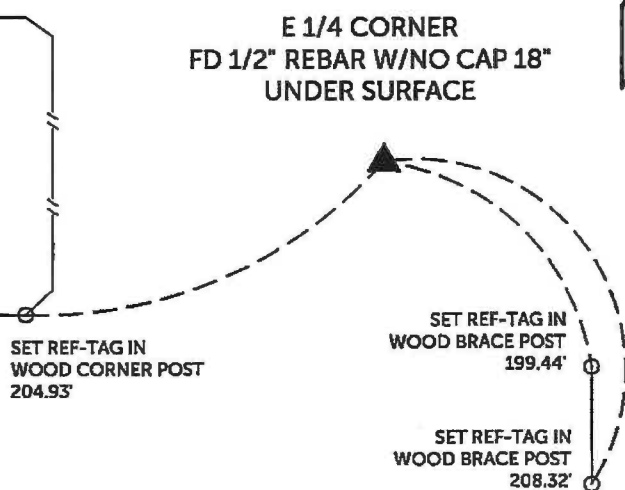
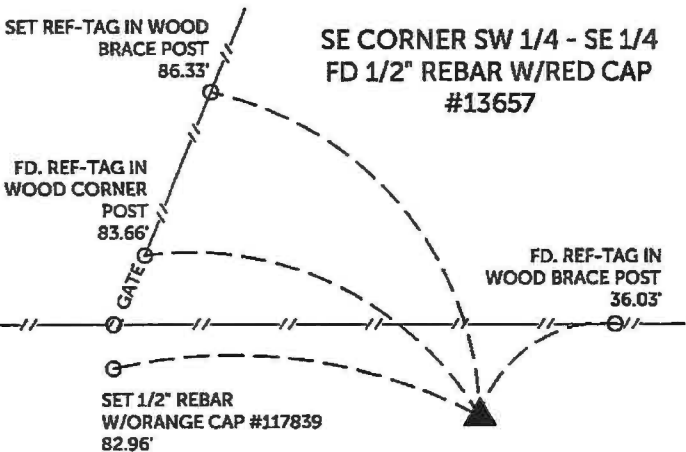
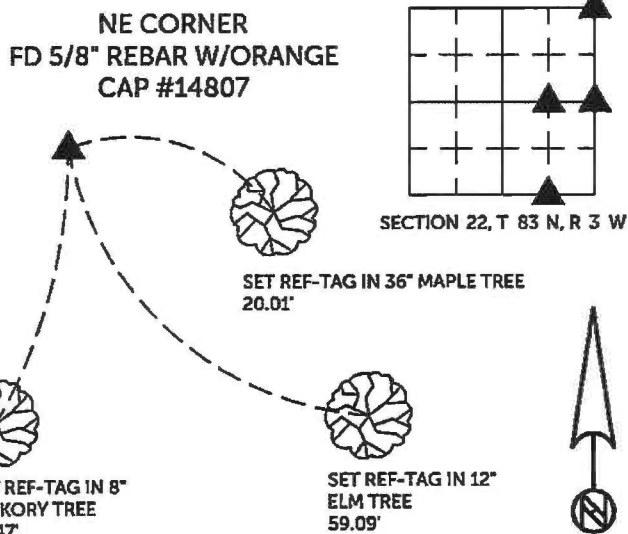
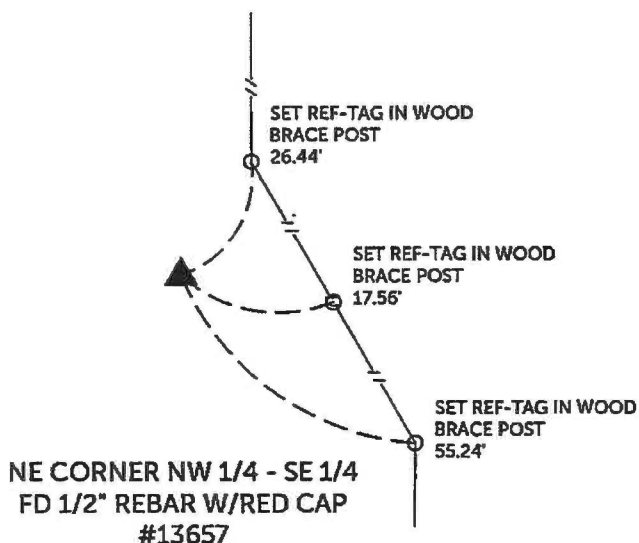
NE Corner: Found 5/8" rebar with orange cap #14807 as recorded in Inst. # 2003 0502. Corner Certificate being reissued due to missing tie objects.

SE Corner SW 1/4 - SE 1/4: Found 1/2" rebar with red cap #13657 as recorded in Inst. # 2021 2775. Corner Certificate being reissued due to missing tie objects.

E 1/4 Corner: Found 1/2" rebar with no cap 18" under the ground as recorded in Inst. # 2003 0502. Corner Certificate being reissued due to missing tie objects.

PLAN VIEW

(Show a minimum of three reference ties to durable physical objects, relevant monuments and physical conditions that will enable recovery of the corner.)



TIES ARE TO PLAT PARCEL 2022-74, PARCEL 2022-75, PARCEL 2022-76 IN SECTION 22, T 83 N, R 3 W

BURRINGTON GROUP, INC. PROJECT NO. 22-144

I HEREBY CERTIFY THAT THIS LAND SURVEYING DOCUMENT WAS PREPARED AND THE RELATED SURVEY WORK WAS PERFORMED BY ME OR UNDER MY DIRECT PERSONAL SUPERVISION AND THAT I AM A DULY LICENSED PROFESSIONAL LAND SURVEYOR UNDER THE LAWS OF THE STATE OF IOWA.

SEAL COVERS THIS SHEET ONLY

	Date	11/28/2022
Randall L. Rattenborg, P.L.S.	License #17939	
My license renewal date is December 31, 2023		
List Corners to be Indexed:	Section	Township Range
NE CORNER NW 1/4 - SE 1/4	22	T 83N R 3 W
NE CORNER		
SE CORNER SW 1/4 - SE 1/4		
E 1/4 CORNER		



BURRINGTON GROUP, INC.
 Civil Engineering | Land Surveying
 105 W. Main Street Manchester, Iowa 52057