

COPY

Jones County Iowa
Marie Krutzfield, Recorder
Fee Book 2010 1969

07/30/2010 @1125AM
ZSC SEC COR CERT
Book: Page: # Pages: 1
Total Fees: \$9.00

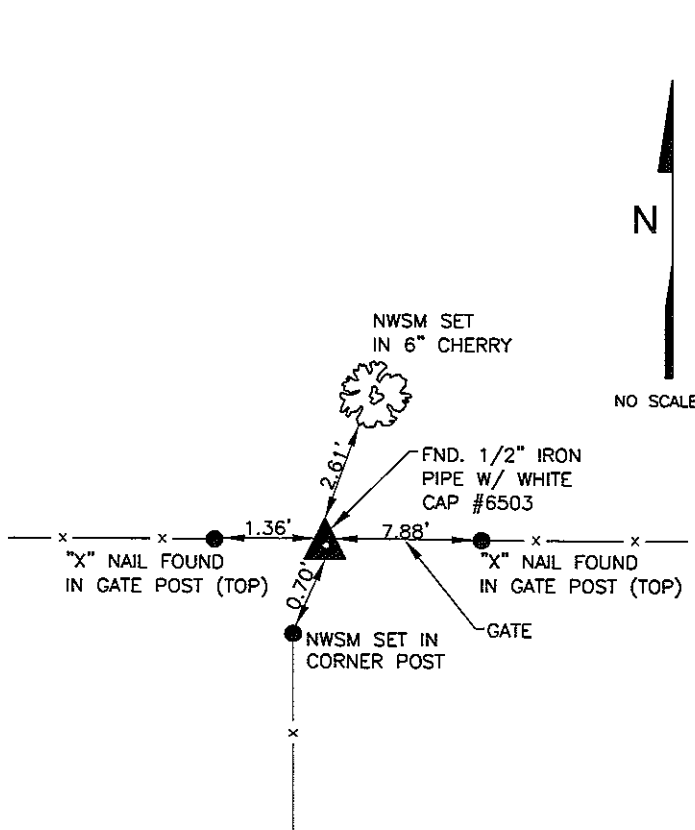
Prepared By: R. Rodney Klien, L.S. #18646 Anderson-Bogert Engineers & Surveyors, Inc. 4001 River Ridge Dr. N.E. Cedar Rapids, Iowa 52402 Phone: (319) 377-4629

UNITED STATES PUBLIC LAND SURVEY CORNER CERTIFICATE OF

Land Survey Monuments situated in Section 4, Township T-83-N, Range R-3-W, of the Fifth Principal Meridian, JONES County, Iowa.
Previously recorded in BOOK 97 98 0558 in County Recorders Office.

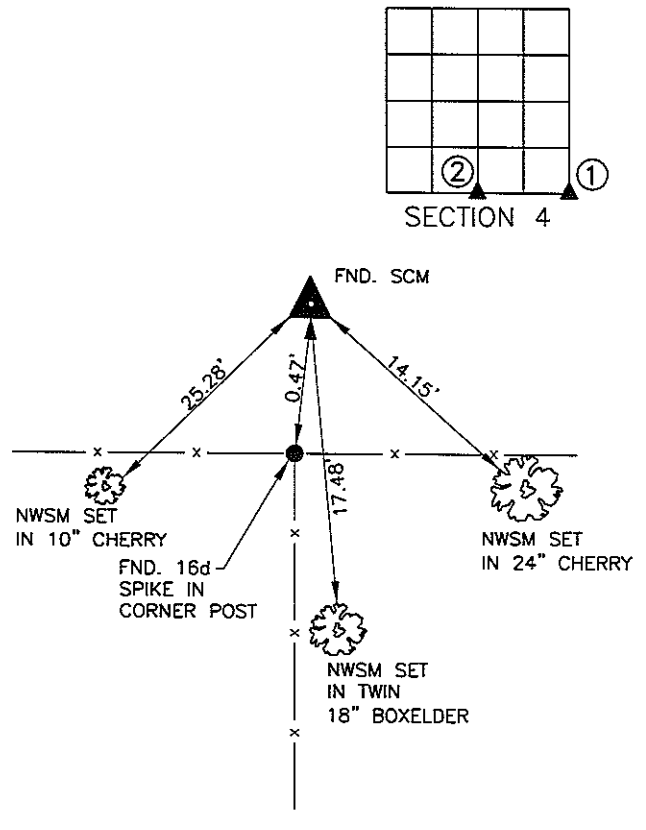
Monument Description and Remarks: ① FOUND 1/2" IRON PIPE WITH WHITE CAP # 6503 - MISSING TIES FROM PREVIOUSLY RECORDED CORNER CERTIFICATE. ② FOUND STANDARD CONCRETE MONUMENT - MISSING TIES FROM PREVIOUSLY RECORDED CORNER CERTIFICATE.

PLAN - VIEW



① SE CORNER SE 1/4 SECTION 4-T83N-R3W

*NWSM= NAIL WITH SURVEY MARKER



② S1/4 CORNER SECTION 4-T83N-R3W

I hereby certify that this land surveying document was prepared and the related survey work was performed by me or under my direct personal supervision and that I am a duly licensed Land Surveyor under the laws of the State of Iowa

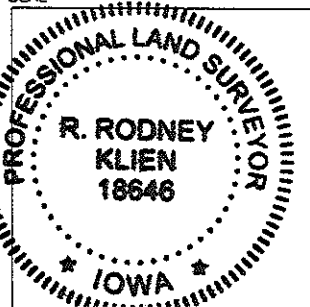
Signature: *R. Rodney Klien* Date: 7-29-10
Printed or typed name: R. Rodney Klien

License number: #18646

My license renewal date is December 31, 2011

Pages or sheets covered by this seal: 1 of 1

SEAL



ANDERSON-BOGERT
Engineers & Surveyors, Inc.
4001 River Ridge Drive N.E. Cedar Rapids, Iowa 52402
Phone: (319) 377-4629

List Corners to be Indexed

Corners	Section	Twp	Range
SE CORNER SE 1/4	4	83N	3W
S1/4 CORNER	4	83N	3W

- THERE IS NO CERTIFICATE FOR THE CORNER ON FILE WITH THE RECORDER OF THE COUNTY IN WHICH THE CORNER IS LOCATED.
- THE SURVEYOR IN RESPONSIBLE CHARGE OF THE LAND SURVEYING ACCEPTS A CORNER POSITION WHICH DIFFERS FROM THAT SHOWN IN THE PUBLIC RECORDS OF THE COUNTY IN WHICH THE CORNER IS LOCATED.
- THE CORNER MONUMENT IS REPLACED OR MODIFIED IN ANY WAY.
- THE REFERENCE TIES IN AN EXISTING PUBLIC RECORD ARE INCORRECT OR MISSING.

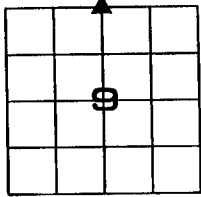
UNITED STATES PUBLIC LAND SURVEY CORNER CERTIFICATE

LAND SURVEY MONUMENTS SITUATED IN SECTION 9, TOWNSHIP 83 NORTH
RANGE 3 WEST OF THE 5TH P.M., JONES COUNTY, IOWA.

NO SCALE

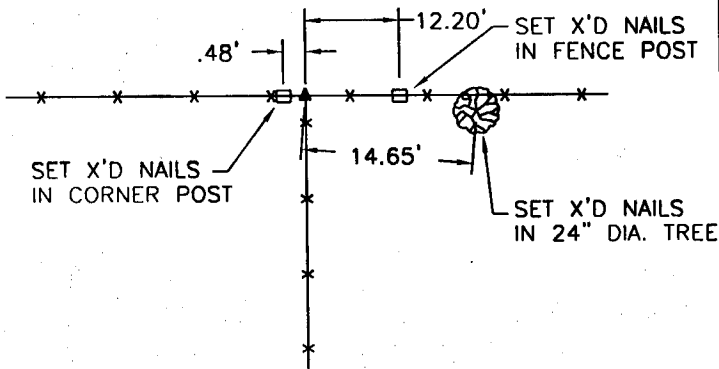


N 1/4



~~Old~~
Rome

ON
COND

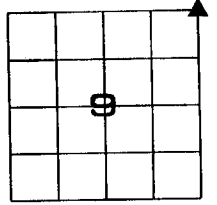


PREVIOUSLY RECORDED IN BOOK _____ PAGE _____
MONUMENT DESCRIPTION AND HOW ESTABLISHED _____
FOUND CONCRETE MONUMENT

NO SCALE

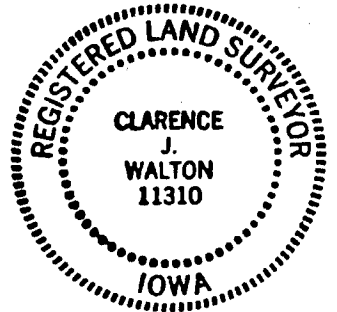
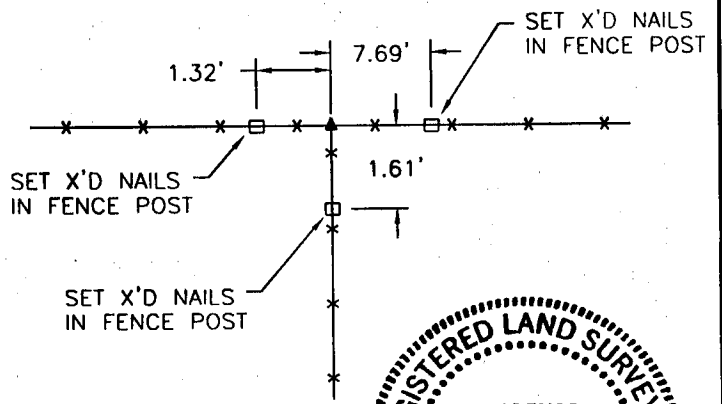


NE CORNER

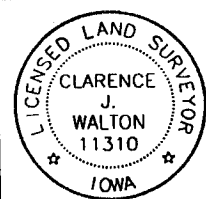


Rome

ON
COND



PREVIOUSLY RECORDED IN BOOK _____ PAGE _____
MONUMENT DESCRIPTION AND HOW ESTABLISHED _____
FOUND 1/2" PIPE WITH CAP# 6503



I hereby certify that this land surveying document and the related survey work was performed by me or under my direct personal supervision and that I am a duly licensed Land Surveyor under the laws of the State of Iowa.

Signed Clarence J. Walton Date 8/21/97

Clarence J. Walton, L.S.
My License Renewal Date is December 31, 1997
License Number 11310
Pages or sheets covered by this seal: 1 of 1

CORNERS TO BE INDEXED

CORNER	SECTION	TOWNSHIP	RANGE
N1/4	9	83N	3W
NE	9	83N	3W

BRAIN ENGINEERING, INC.

777 10TH STREET
MARION, IOWA 52302
(319) 373-1318

20787-10